



G-ECO

Electric  
Press Brake



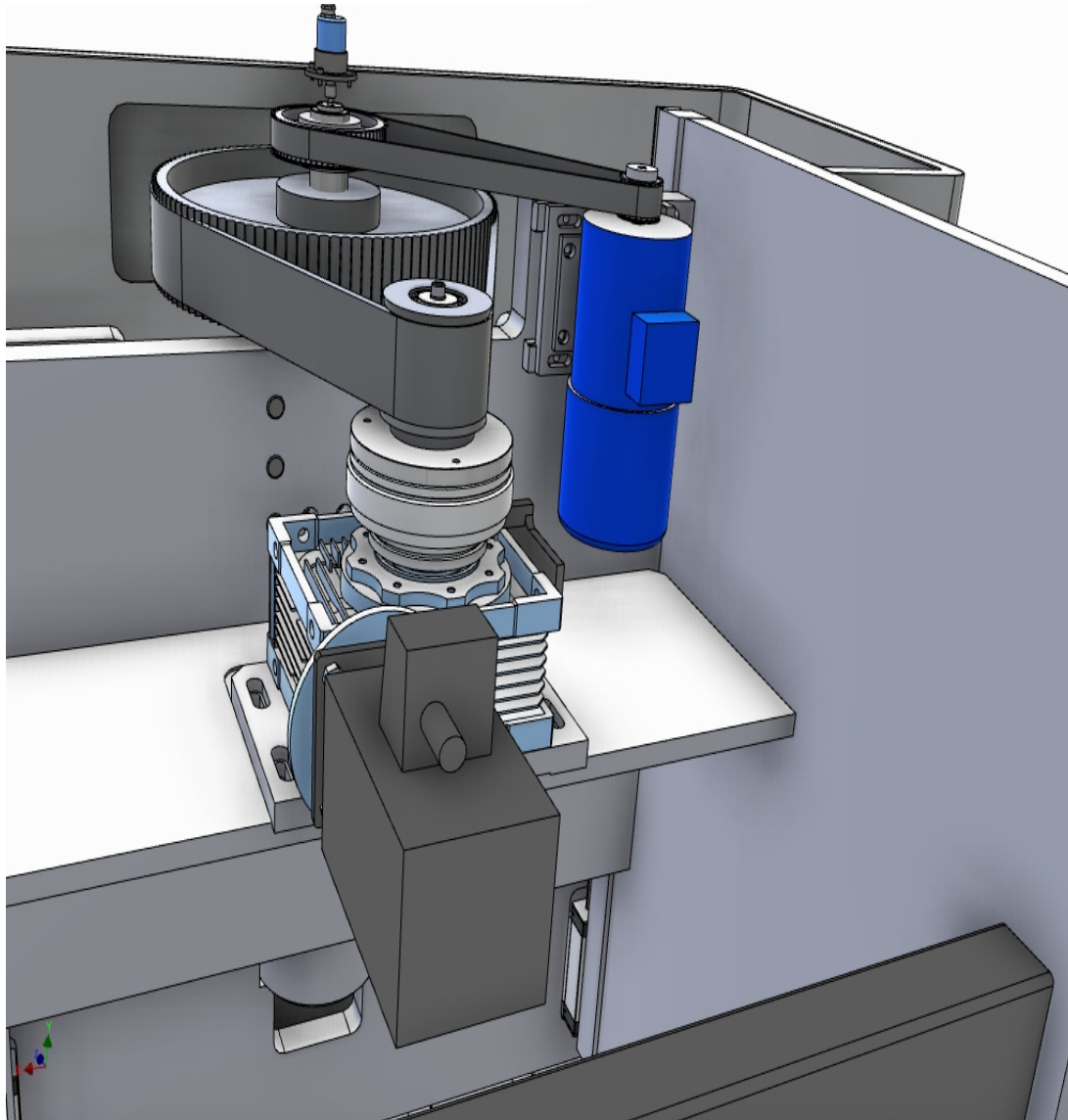
- *CNC Pressbrake*
- *Electrical*
- *Ecological*



## WHY USE ELECTRICAL

- *Less Consumption*
- *Better Accuracy*
- *Faster than Hydraulic*
- *Higher Efficiency*
- *Enviromental Friendly*

# HOW IS WORKING



- *2 Motors*
- *2 Speeds*
- *Slow Speed – Bending procedure*
- *Fast Speed – Fast movement of RAM*

## *BENEFITS-CONSUMPTION*

The waiting time, while bending a part, is the biggest % of the total time (almost 80%). Since the electrical pressbrakes can power off their motor in standby mode the power save can be at

60% comparing with a hydraulic.

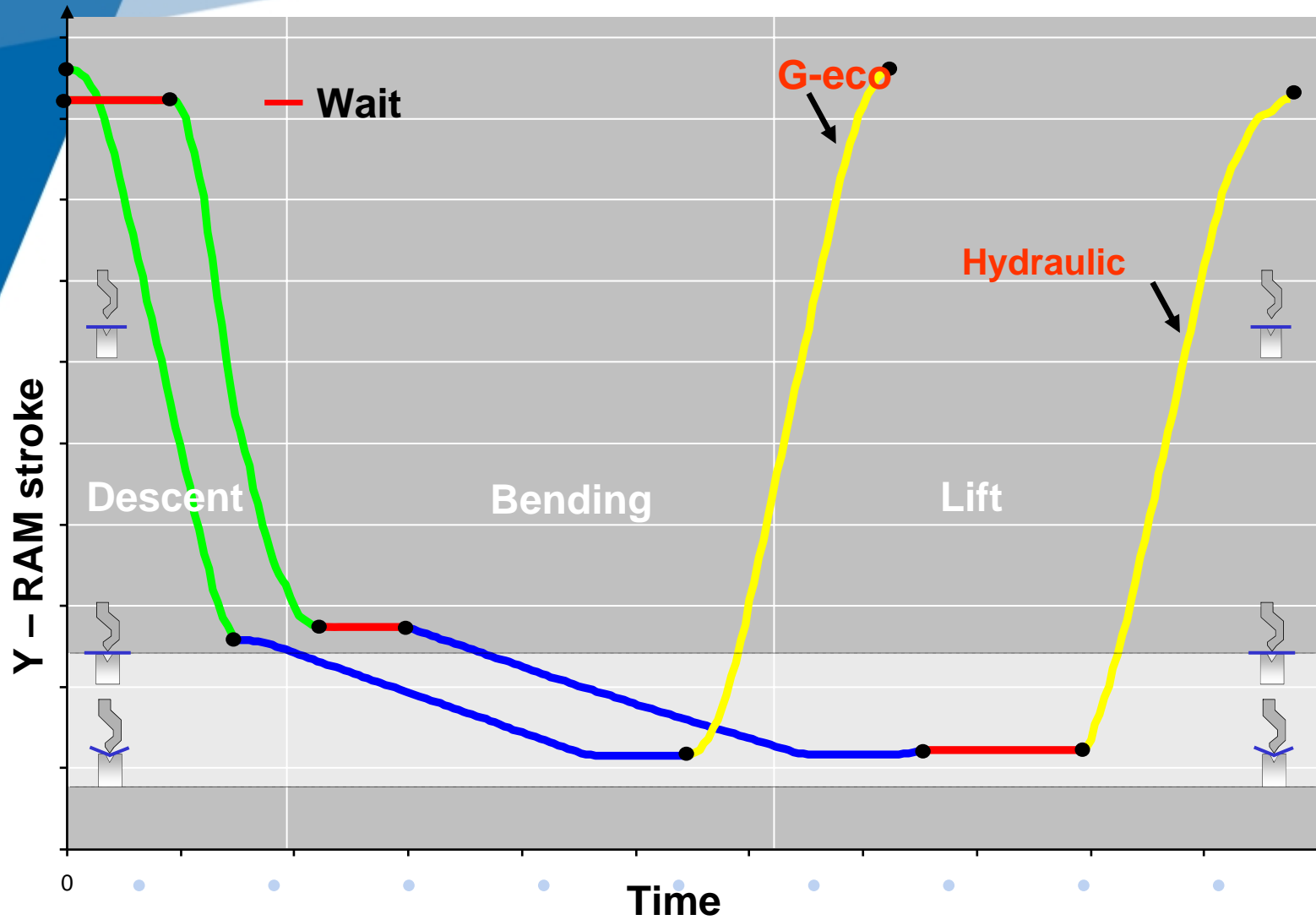


## BENEFITS-SPPED

The movement of RAM while approaching and leaving a bending step is faster with electrical motors and this way we can achieve

30% faster speed comparing with a hydraulic.



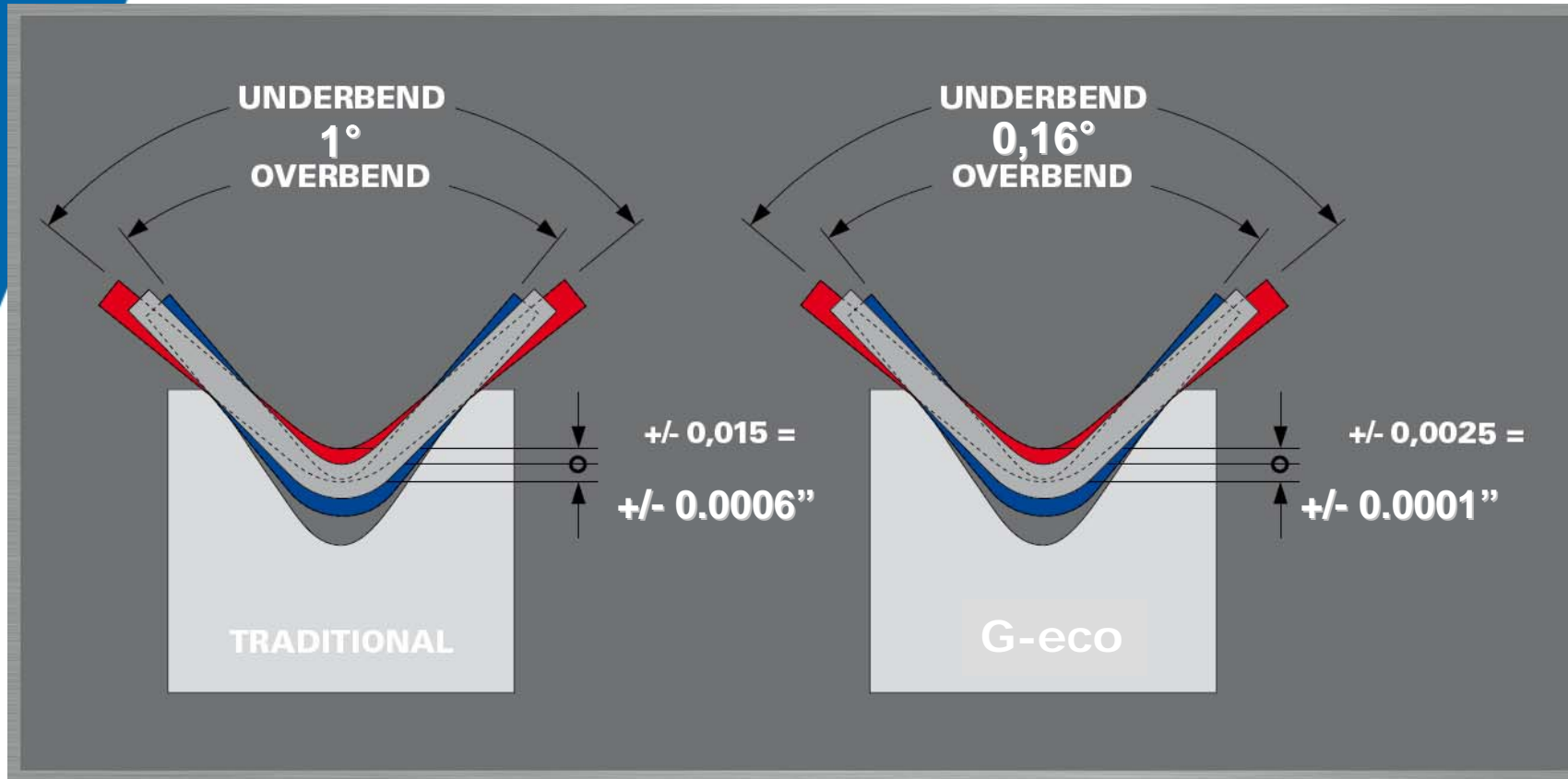


The movement of bending is performed with servo motor offering great accuracy thus giving to our products ideal repeatability.





# BENEFITS-ACCURACY



# BENEFITS-ENVIROMENT FRIENDLY

➤ *No oil is used*

no need for expensive recycle  
methods of used oils

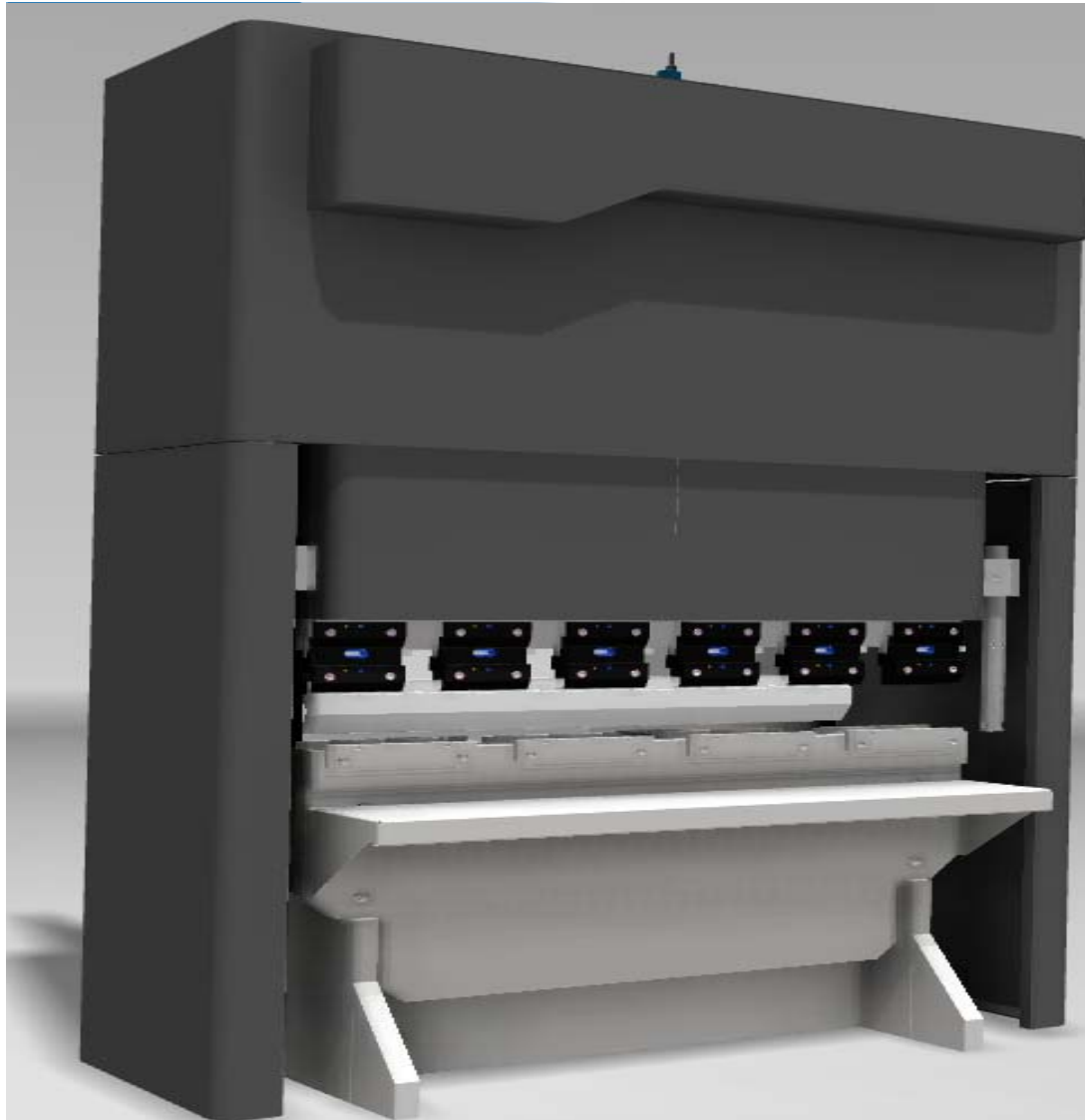


➤ *Noiseless technology*

healthier working enviroment



# MACHINE RANGE



- G-eco 2000/28
- G-eco 2000/56
- G-eco 2500/28
- G-eco 2500/56



*G-eco*

*THANK YOU*

